



*heating and plumbing products
that won't cost the **earth***

Inta solar thermostatic mixing valve for HP DWS

July 2010



Inta solar thermostatic mixing valve for HP DWS

Function

The Solarmix thermostatic mixing valve is designed to reduce the water temperature to a safer level. Unlike the under basin, or bath/shower type valves we are familiar with, the Solarmix is designed to function continuously at high temperatures, something a standard TMV2 valve cannot cope with.

Fitted close to the HW outlet from the cylinder, the Solarmix blends the high temperature hot water with cold, to provide safe water supplies.

Flow rates are also greater on these valves and are suitable for use on pressurised systems (although they may not be suitable for use on some LP gravity DHWS). Most importantly, Solarmix thermostatic mixing valves should not be installed instead of TMV2 or TMV3 valves, as they are used in a different context to these valves.

Materials

| | |
|---------|--|
| body | DZR Brass EN 12165 CW602N, chrome plated |
| shutter | Brass or brass PTFE coated |
| springs | Stainless Steel |
| seals | EPDM |

Temperatures and pressures

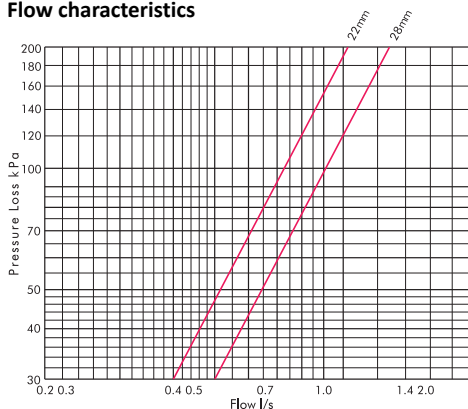
| | |
|--|------------------------------------|
| Temp. setting range | 30 - 65°C |
| Min. flow rate to ensure stable temp. | 0.083l/s = 5l/m |
| Accuracy | ± 2°C |
| Max. working pressure | 14 bar - static 5 bar - dynamic |
| Min. working pressure | 0.2 bar - dynamic |
| Max. inlet temperature | 110°C |
| Max. inlet pressure ratio (H/C or C/H) | 2:1 |

Min. temperature difference between hot water inlet and mixed water outlet for optimum performance 15°C

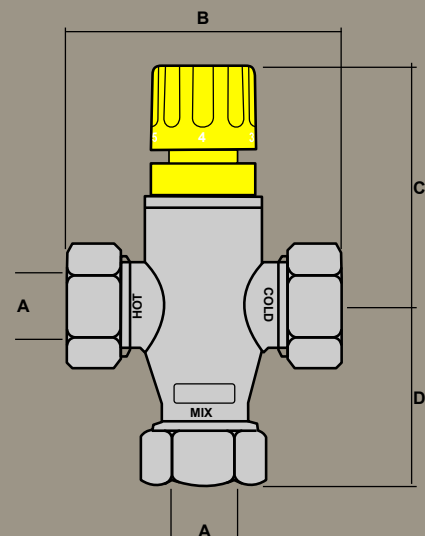
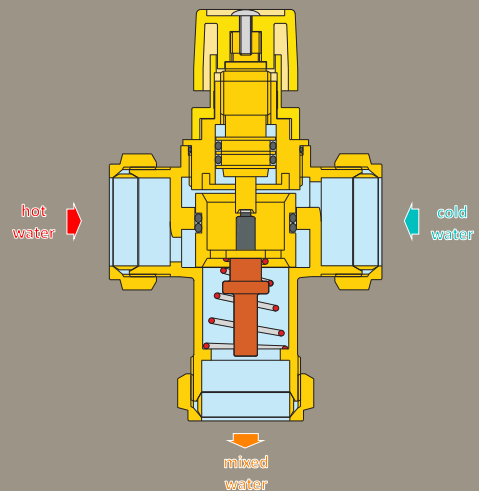
Connections 22mm & 28mm compression for copper pipe

Note: Use BS EN 1057 R250 (half hard) copper pipe with compression joints to BS EN 1254-2

Flow characteristics



| | | |
|-----------|-----|-----|
| size (mm) | 22 | 28 |
| Kv m³/hr | 2.6 | 3.3 |



| Size | A | B | C | D | kg |
|------|------|----|----|----|------|
| 22mm | 22mm | 92 | 81 | 60 | 0.88 |
| 28mm | 28mm | 93 | 72 | 66 | 0.76 |

| connection/type | size (mm) | code |
|--------------------------|-----------|---------|
| Compression Cu x Cu x Cu | 22 | 50022SR |
| Compression Cu x Cu x Cu | 28 | 50028SR |

Intaeco Limited
Airfield Industrial Estate, Hixon, Stafford ST18 0PF

t: 0870 220 9666 f: 01889 272181
e: sales@intaeco.co.uk w: www.intaeco.co.uk